

luxier®

Widespread Two Handles Lavatory Faucet

WSP03-TB (Brushed Nickel)

WSP03-TC (Chrome)

WSP03-TO (Oil Rubbed Bronze)

Features:

- Three Hole Installation
- Solid Brass Construction
- Drip Free 1/4 Turn Ceramic Cartridge
- Maximum flow rate 1.2 gpm at 60 psi

- Complies with:

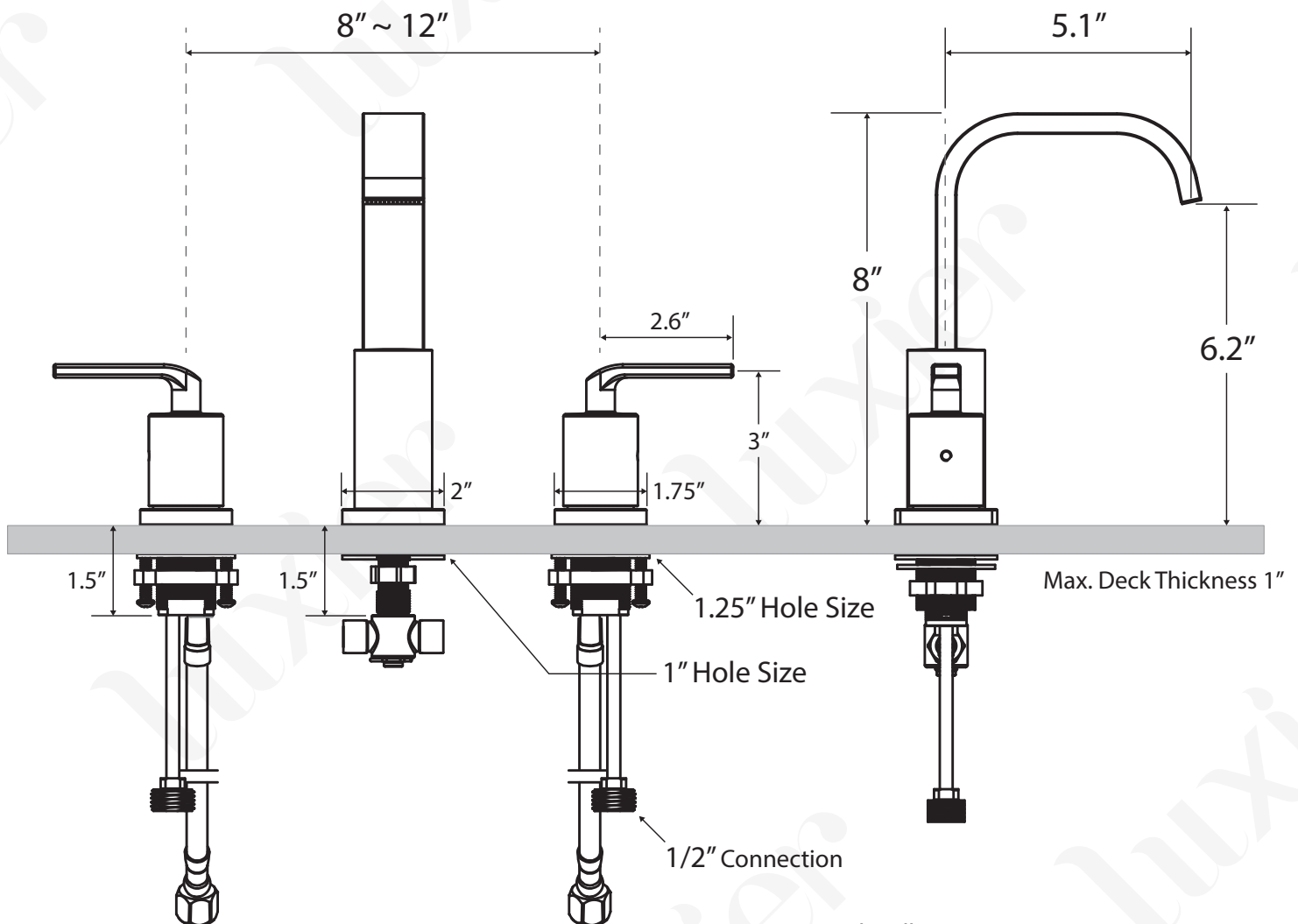
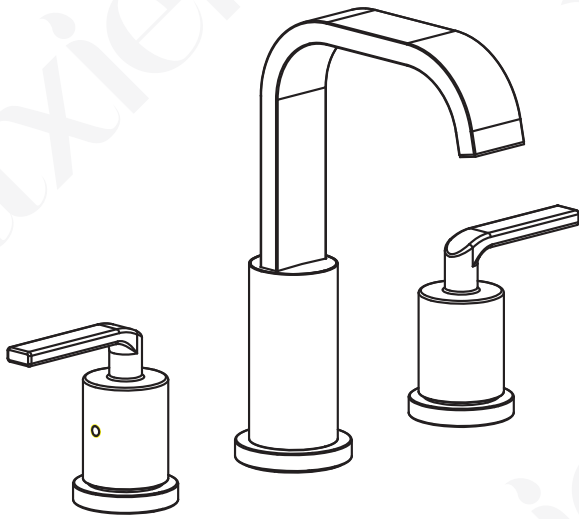
NSF 61-9

ANSI / ASME A112.18.1

IAPMO / UPC / cUPC

CA AB-1953

CEC



* Drawing not to scale. All Measurements are approximate*

Thank you for purchasing Luxier products. Please read the information below and keep this installation guide for future reference. If you require assistance, please contact our customer service department at 1-877-711-8828, Monday - Friday 9AM - 5PM Pacific Time or by email at support@luxierusa.com.

Limited Lifetime Warranty (For USA Only)

The manufacturer warrants this product to be leak and drip free during daily normal household use for as long as it is owned by the original purchaser of this product. Please keep a copy of the original invoice as proof of purchase.

Should a malfunction occur within the warranty period, Luxier USA will, as its option, (1) repair or replace the defective part(s) or product at no charge; (2) issue a refund of the purchase price paid for the product (Valid within 30 days from the date of purchase); or (3) issue a credit to be applied against the purchase of a new Luxier product. Shipping/delivery charges may apply and are in Luxier USA's sole discretion.

This limited warranty shall not apply to goods which have been subject to accident, negligence, improper installation, product abuse, product misuse, or use of cleaners containing abrasives, alcohol or other organic solvents, whether performed by a contractor, service company, or yourself, are excluded from this warranty.

Our responsibility under this warranty is limited to only to replacement parts and no other costs. Luxier USA will not be responsible for labor charges and/or damage incurred by installation, repair or replacement, nor for any indirect incidental or consequential damages, losses, injury or costs of any nature relating to this faucet. Except as provided by law, this warranty is in lieu of and excludes all other warranties, conditions, and guarantees, whether expressed or implied, statutory or otherwise, including without restriction those merchantability of fitness for use.

This limited warranty is non-transferable. This limited warranty only applies to products purchased and installed in the United States. This limited warranty covers the original consumer purchase only and does not include business, commercial or industrial use of this product. To obtain service under the Limited Warranty, please contact Luxier USA at support@luxierusa.com. The Luxier USA Customer Care Department will determine whether to repair or replace your product, issue a refund, or issue a credit.

Important Points

- This installation guide is subject to change without notice, please contact us to request the most updated version of this installation guide.
- This is a general installation guideline, actual installation may vary. Consult a professional if necessary.
- Read and understand this instructions completely before installation.
- Please follow all local building and plumbing codes.
- Product drawings in this installation guide is for illustration purpose only. Actual product may vary depends on model.
- Always take extra precautions and wear appropriate safety equipment when installing this product.
- Wrap all threaded connections, except the aerator in the spout, with Teflon (PTFE) tape. Always wrap in a counterclockwise direction.
- When installing your new faucet, first hand tighten the water supply hoses then use a wrench to give the compression nuts an additional (1/4) turn. Do not over tighten the compression nuts as it will reduce the integrity of the sealed connection.

You may also need the following tools

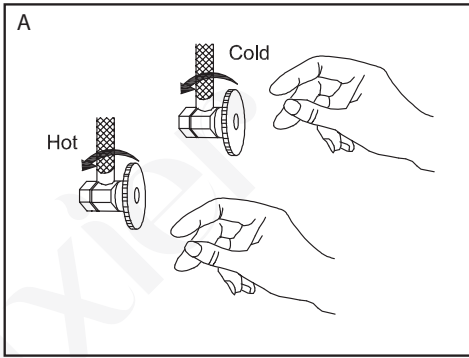
1. Safety Glasses	5. Adjustable Wrench
2. Teflon (PTFE) Tape	6. Screwdriver
3. Plumber's Putty and Caulking	7. Water Supply Hoses
4. 1 3/8" Basin Wrench or 1 11/32" Shower Valve Socket Wrench	

Maintenance Guide

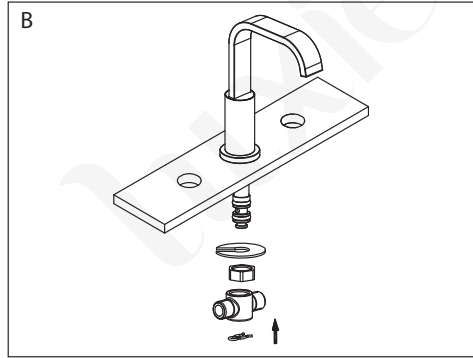
Please follow the cleaning material manufacturer's instructions. Damage caused by improper treatment will not be covered by product warranty. In addition, pay attention to the following points:

- Regular cleaning can prevent mineral build up on faucet spout.
- Carefully read the cleaner product label to ensure the cleaner is safe for use on the material.
- Test the cleaner on a small area before using on the entire surface.
- Use a mild detergent such as liquid dishwashing soap and warm water for cleaning.
- Do not use abrasive / harsh chemical when cleaning the fixture as they will damage and dull the finish.
- When using spray cleaners, spray first onto a soft cloth or sponge. Never spray directly onto the faucet as droplets can enter openings and gaps and cause damage.
- After cleaning, rinse thoroughly with clean water to remove any cleaner residue.

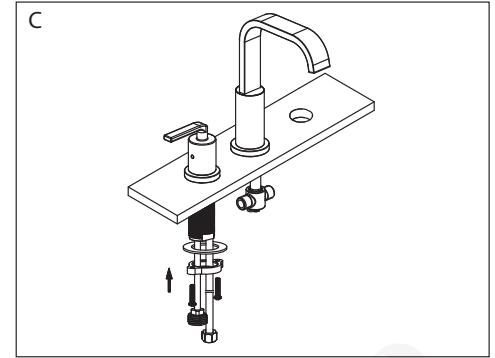
Installation



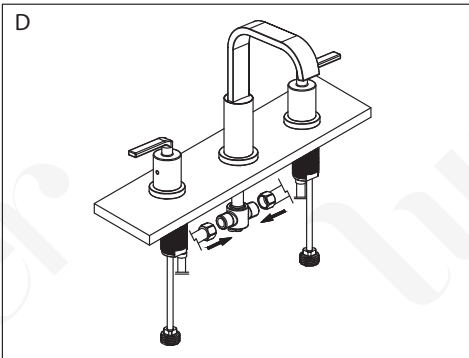
A. Shut off water supply at the valves. Remove old faucet and clean the mounting surface for installation of new faucet.



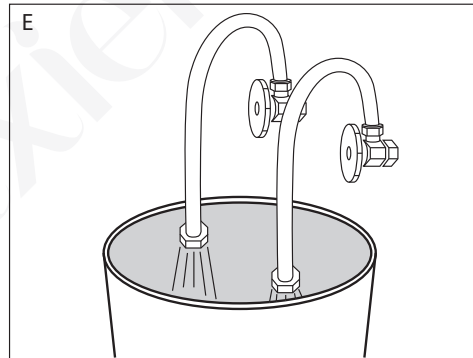
B. Place spout with flange through the center mounting hole on the mounting surface. Secure spout with metal washer and metal nut. Once the spout is secured, push the T connector onto the mounting tube until it snap into place. (Caution: The 2 rubber o-rings must be seated properly in the grooves on the mounting tube.) Lock the T connector in place by firmly inserting the locking pin.



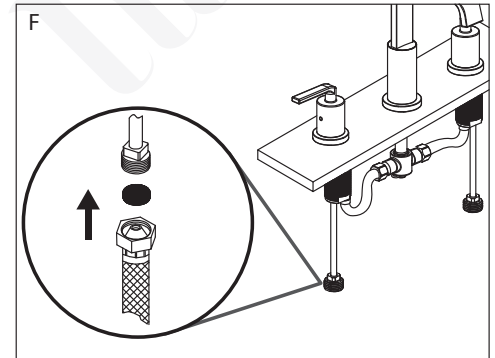
C. Slide hot and cold water handle / valve through mounting holes. Make sure the connecting hoses are installed toward the center spout. Handles should point outward in off position. Secure the handles with metal washers and mounting nut. Hand tighten the nut onto the valve and secure it by tightening the screws



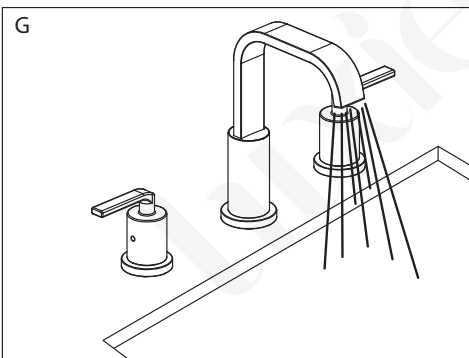
D. Apply Teflon (PTFE) tape on the thread of the T connector and connect the water inlet hoses to the T connector. Use an adjustable wrench to tighten the fittings. Do not overtighten the connection. **(IMPORTANT:** The black hoses are longer by design to accommodate wider installation. For narrower installation, it is strongly recommended to loop the hoses around to avoid any kinks. Turn the T connector at an angle will make connecting the black hoses easier.)



E. It is highly recommended to flush the water lines before connecting the water supply hoses (not included) to the faucet. Place a water bucket under the cabinet, with both water supply hoses inside the bucket. Slowly turn on the valves and let water run for about 45 seconds.



F. Apply Teflon (PTFE) tape on the thread in a counter-clockwise direction. Connect water supply hoses with 1/2" IPS connectors to valves. Make sure the filter is properly seated between the hose and the brass pipe. Use an adjustable wrench to tightening the hoses. Use a second wrench to anchor the fitting. Please do not overtighten the fittings.



G. Turn on water supply and allow the unit to run for about 1 minute while check for leaks at all connections.

(Note: Sediments or mineral buildup will clog the filters and decrease water flow. It is recommended to clean the filters regularly to maintain proper water flow to the faucet.)

